

2/4

KUBOTA

SOS NSM SERIES

P DIP STICK

☆:KTC Standard
 ★:BB-EC Standard
 ●:Optional

	Engine Model	Z482-B	D662-B	D722-B	WG750-B
	Part NO				
P-1	16853-36411	☆☆	☆☆	☆☆	
P-2	16851-36411	●	●	●	☆
P-3	19027-36412	●			
P-4	16875-36412	●	●	●	
P-5	15841-36411	●	●	●	

Note:

The dip stick for NSM series can't use for WG750, because the hole diameter of crankcase put in the dip stick is different between NSM series and WG750.

注:

NSMとWG750とは、クランクケースの油面計挿入部が異なる。従って油面計は兼用出来ない。

<p style="text-align: center; font-size: 1.2em;">P-1</p> <p>PART NO.</p> <p style="text-align: center; font-size: 1.1em;">16853-36411</p> <p>KIT SERIAL NO.</p> <p>_____</p> <p>KIT NO.</p> <p>_____</p>	
--	--

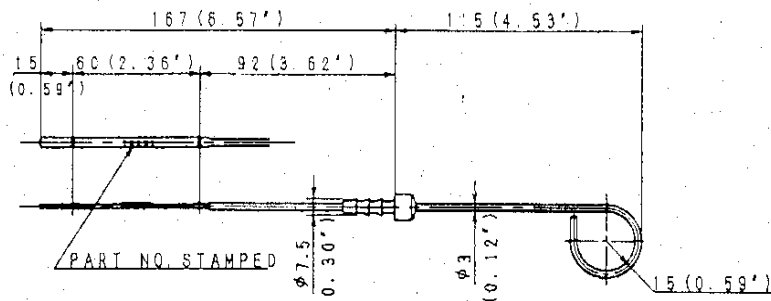
3/4

KUBOTA

SOS NSM SERIES

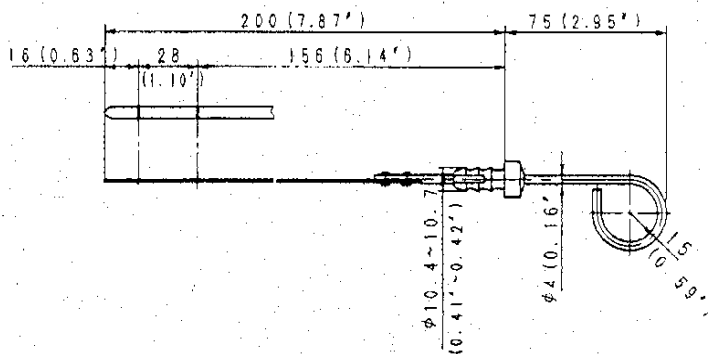
P-2
PART NO.
16851-36411
KIT SERIAL NO.

KIT NO.



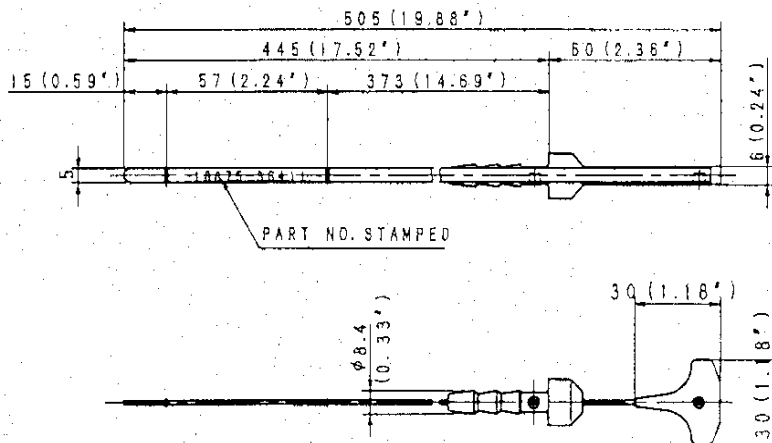
P-3
PART NO.
19027-36412
KIT SERIAL NO.

KIT NO.



•Applicable oil pan is of part No.19027-01504.

P-4
PART NO.
16875-36412
KIT SERIAL NO.
366
KIT NO.
19019-36402



•Applicable dip stick guide is of part No.16875-36423.

974

KUBOTA

SOS NSM SERIES

P-5
PART NO.
15841-36411
KIT SERIAL NO.

KIT NO.

